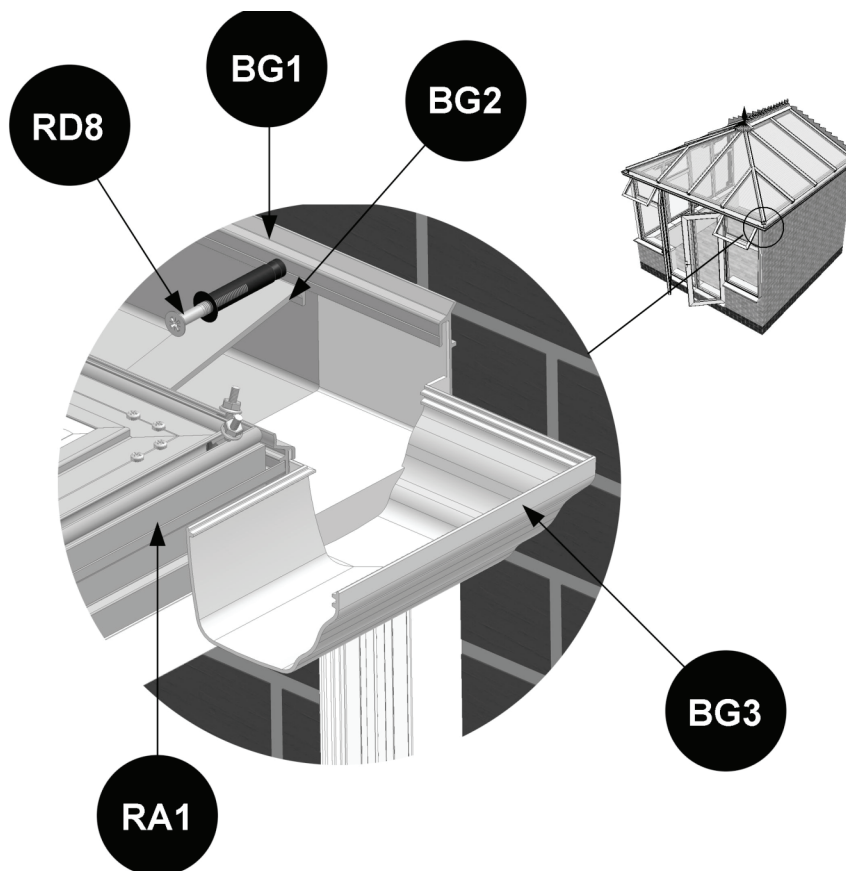


Vi - BOX GUTTER COMPONENT REFERENCE

Item No	Item Description	Pack	Comments
BG1	Box Gutter	D	
BG2	Box Gutter Braces	A	
BG4	Box Gutter Sealing Tape	A	
BG7	Box Gutter Internal Cladding	D	
BG8	135° Box Gutter Adapter	A	135° Corners
PD5	60mm Fixing Bolts	A	
RV14	Ogee Gutter Inline Connector	A	
SC4	3.9 x 25mm Silver Screws	A	
RA1	Eaves Beam	D	
BG3	90° Box Gutter Adapter	A	90° Corners

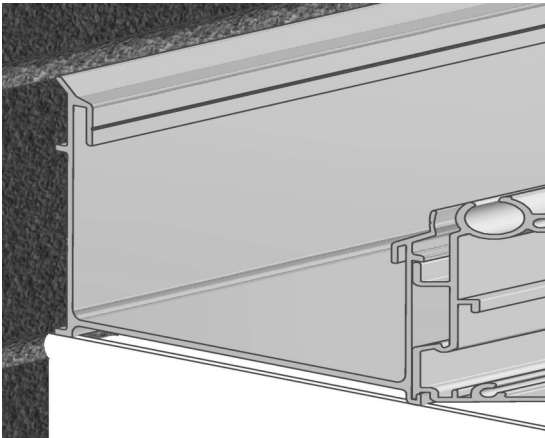
Please note:-The conservatory style is indicative only.



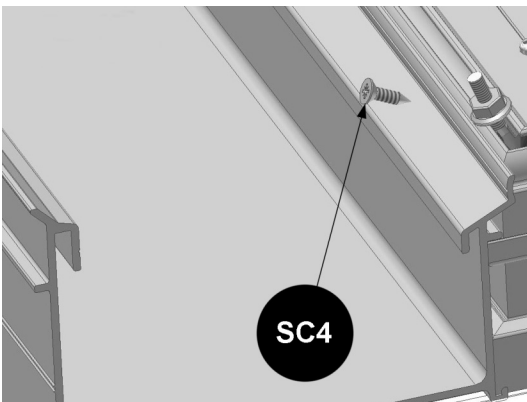
The box gutter (BG1) should always be clipped onto the eaves beam (A5080) at prior to being installed. Please read these instructions carefully and prior to starting the roof installation.

Attaching Box Gutter to Eaves Beam

Select the eaves beam (A5080) and the box gutter (BG1) and mate. The deep side of the box gutter (BG1) is attached to the wall while the inside face has a lip into which the eaves beam (A5080) sits.



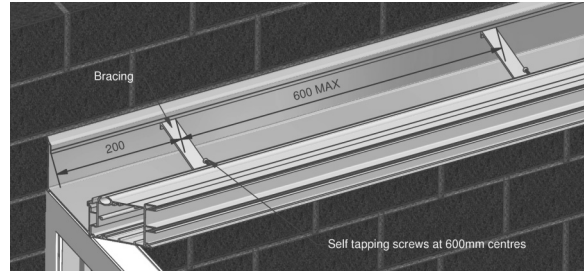
Fasten the eaves beam (A5080) and the box gutter (BG1) together with the 3.9 x 25mm screws (C8019). Slide the box gutter braces (BG2) into the box gutter (BG1), and the correct number of double bolt retainers (C9144) in to the eaves beam (A5080) and place the assembly into place.



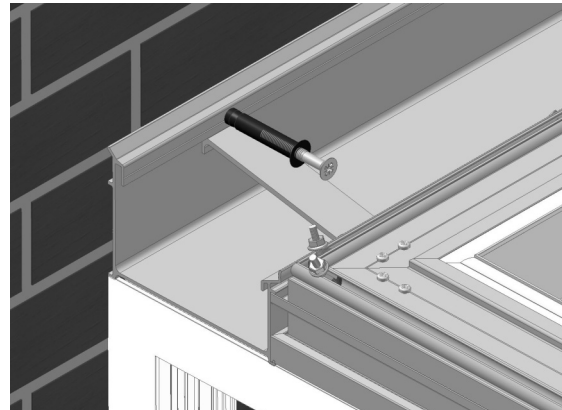
Fixing the Box Gutter Braces

Connect the eaves beam (A5080) complete with box gutter (BG1) to the rest of the eaves beam (A5080) using the method as

previously described by use of the eaves beam corner joiners (C9068). Ensure that the box gutter (BG1) is level and set the box gutter braces (BG2) at 600mm centres along the length of the box gutter (BG1).



Using the relevant 8mm drill bits, pre-drill holes through the box gutter braces (BG2) and into sound masonry to a minimum depth of 10mm deeper than the fixing and permanently fix with the 80mm fixing bolts (RD8).



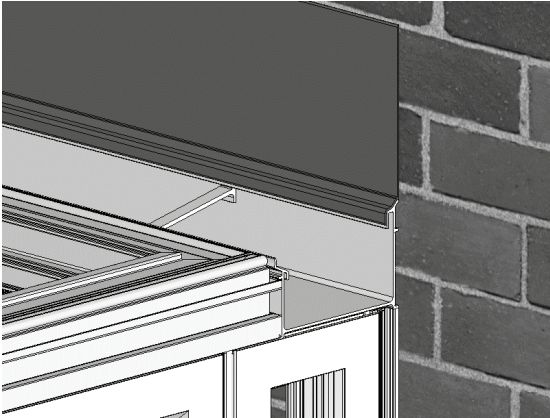
Primary Seal to Host Wall.

Self adhesive flashing tape is included in your conservatory kit. This product is suitable for use where the host wall is flat and even, e.g. face brickwork. The tape is provided as a means of temporarily sealing the conservatory from water ingress.

Although the flashing tape, if applied in accordance with the manufacturers instructions, can function for many years, it is not a long term substitute for traditional lead flashing. We would recommend that you employ an experienced builder to carry

out lead flashing works during the construction of your conservatory, or at some time in the near future.

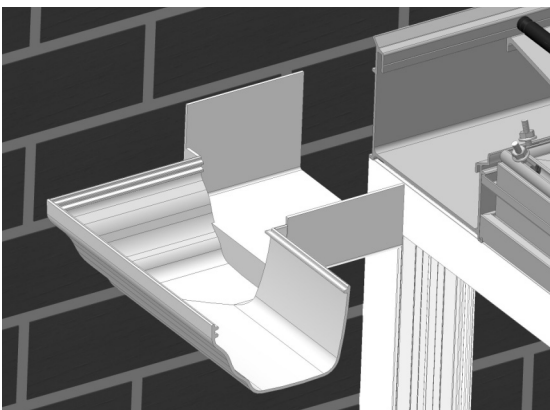
When all eaves beams (A5080) are fixed in position cut out for and apply the flashing tape (RD9) to the host wall. The flashing tape should run down at least two courses of brick and over the flat rear face of the box gutter (BG1).



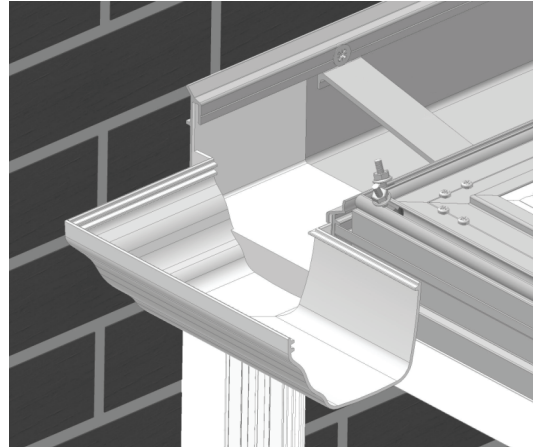
Fitting Trims and Adaptors

Regardless to whichever conservatory style you have, the box gutter adapters (BG3/BG8) are always fitted in the same manner. Though the images show the 90° box gutter adapter (BG3) follow the same procedure even if your roof has a different box gutter adapter.

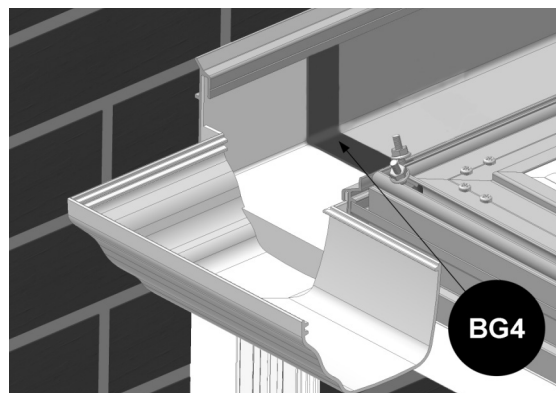
Thoroughly clean the inside of the box gutter (BG1) at the position of the box gutter adaptor (BG3/BG8). Using a heat gun warm the aluminium to remove any moisture that may prevent good adhesion.



Apply a continuous bead of silicone to the sides and bottom face of the box gutter (BG1) and insert the box gutter adaptor (BG3/BG8). Ensure all excess silicone has been removed and once again clean the aluminium with wire wool, ensuring the surface is clean and dry.



Remove the backing of the special box gutter sealing tape (BG4). Gently heat the box gutter sealing tape (BG4) and aluminium of the box gutter (BG1). Position the box gutter sealing tape (BG4) centrally over the joint, pressing firmly across the box gutter adaptor (BG3/BG8) and box gutter (BG1). Ensure no air pockets are present, working well into the corners and sides.

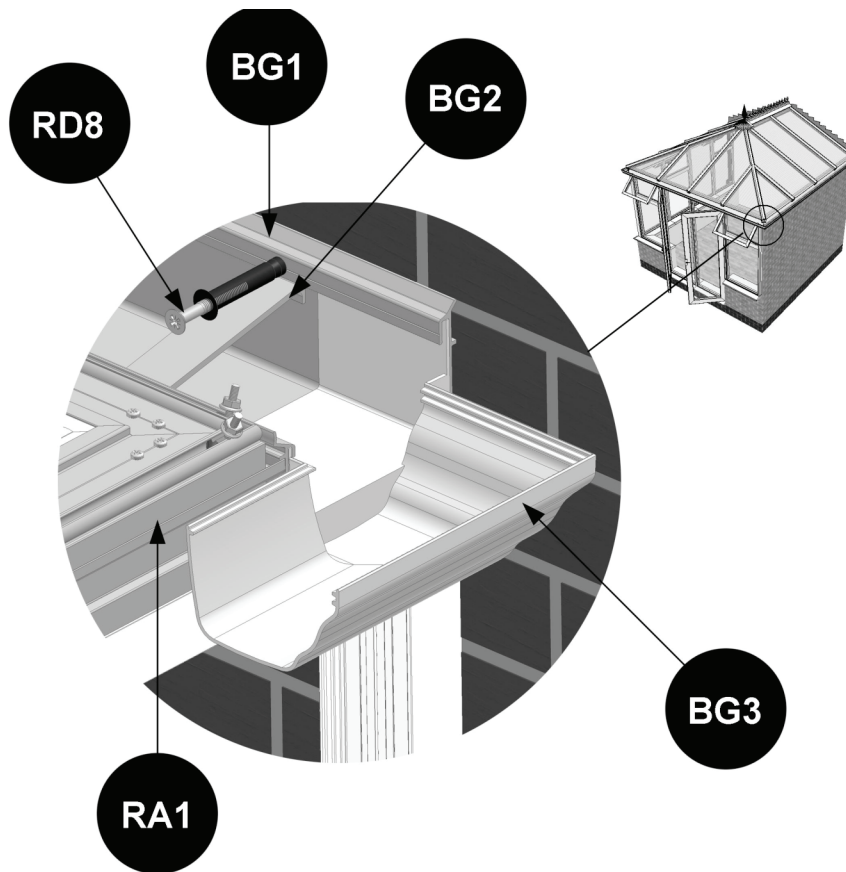


The box gutter adapters (BG3/8) are joined to the Ogee Gutter (RV1) by use of the Ogee gutter inline connector (RV14).

Vii - ADDITIONAL SIDE BOX GUTTER COMPONENT REFERENCE

Item No	Item Description	Pack	Comments
BG1	Box Gutter	D	
BG2	Box Gutter Braces	A	
BG4	Box Gutter Sealing Tape	A	
PD5	60mm Fixing Bolts	A	
RV14	Ogee Gutter Inline Connector	A	
SC4	3.9 x 25mm Silver Screws	A	
RA1	Eaves Beam	D	

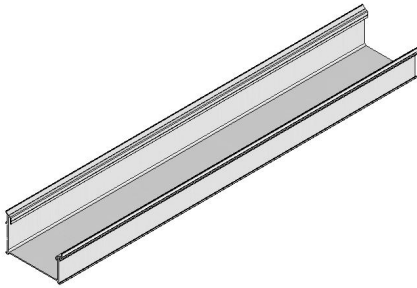
Please note:-The conservatory style is indicative only.



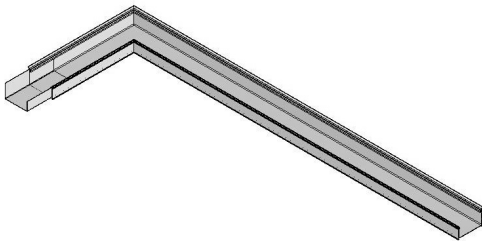
Attaching Box Gutter to Eaves Beam

You will notice that you have two pieces of box gutter (BG1). These have to be joined together prior to installation.

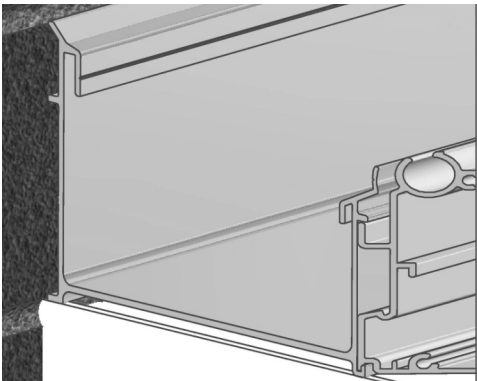
The open ended section will run along the back of the roof.



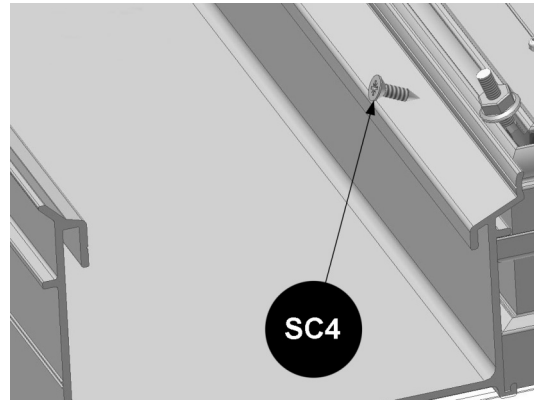
The welded jointed section will run down the roof projection.



Select the eaves beams (A5080) and the box gutters (BG1) and mate. The deep side of the box gutter (BG1) is attached to the wall (as shown below) while the inside face has a lip into which the eaves beam (A5080) sits.

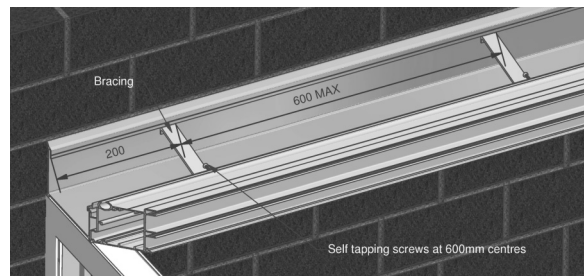


Fasten the eaves beam (A5080) and the box gutter (BG1) together with the 3.8 x 25mm silver screws (SC4). Slide the box gutter braces (BG2) into the box gutter (BG1).

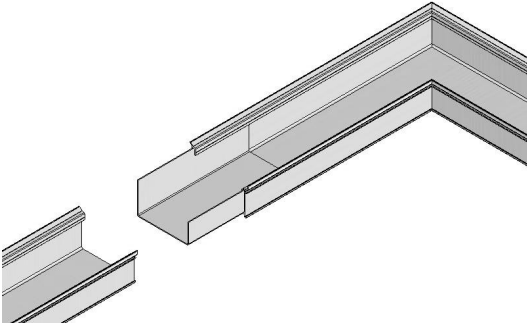


Once the two sections of box gutter (BG1) are together, slide in the box gutter braces (BG2) set at 600mm centres along the length of the box gutter (BG1). This should be done before the box gutter pieces are mated.

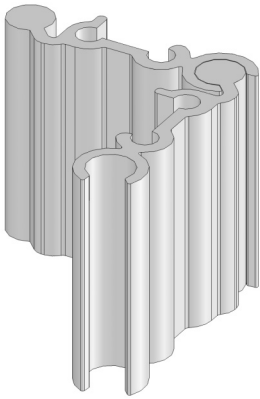
Set the box gutter braces (BG2) at 600mm centres along the length of the box gutter (BG1).



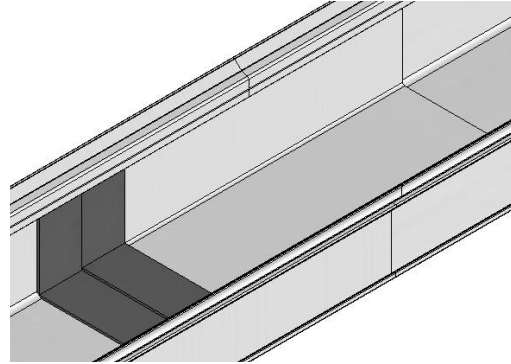
Now slide the two sections of box gutter (BG1) together ensuring that the jointing sleeve in the welded corner section slides into the open ended section of the box gutter (BG1).



Remember to slide the eaves beam jointers in to the eaves beam (A5080) as described in the Eaves Beam Installation Section of this manual and screw to fix.



gutter (BG1). Ensure no air pockets are present, working well into the corners and sides.

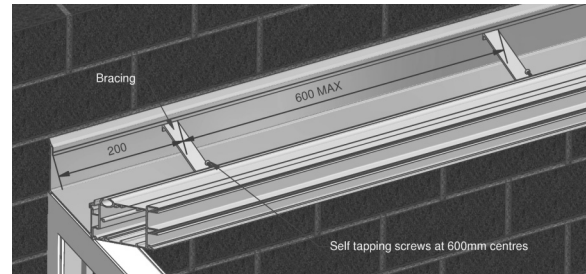
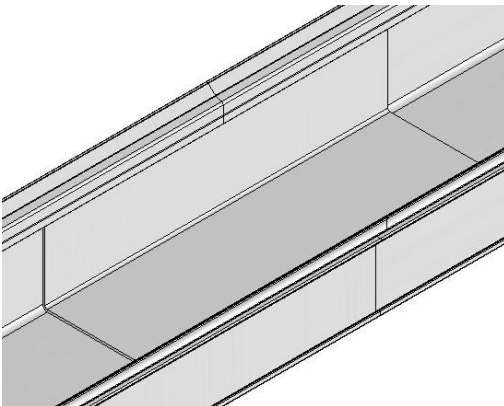


Slide the correct number of double bolt retainers (C9144) in to the eaves beams (A5080) and place the assembly on top of the frames.

Fixing the Box Gutter Braces

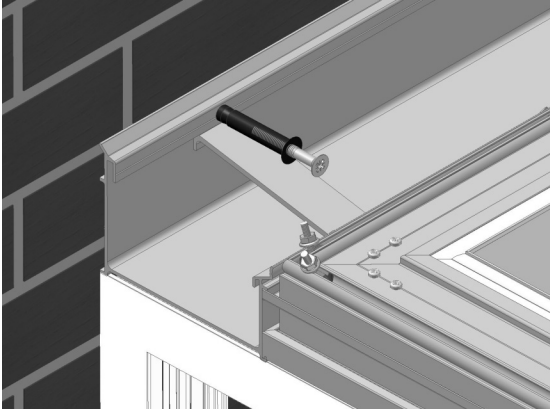
Ensure that the box gutter (BG1) is level and the box gutter braces (BG2) set at 600mm centres along the length of the box gutter (BG1).

Next, thoroughly clean the inside of the box gutter (BG1) at the position of the un-welded end of the box gutter jointing sleeve. Using a heat gun warm the aluminium to remove any moisture that may prevent good adhesion.



Using the relevant 8mm drill bits, pre-drill holes through the box gutter braces (BG2) and into sound masonry to a minimum depth of 10mm deeper than the fixing and permanently fix with the 80mm fixing bolts (RD8).

Remove the backing of the special box gutter sealing tape (BG4). Gently heat the box gutter sealing tape (BG4) and aluminium of the box gutter (BG1). Position the box gutter sealing tape (BG4) centrally over the joint, pressing firmly across the box

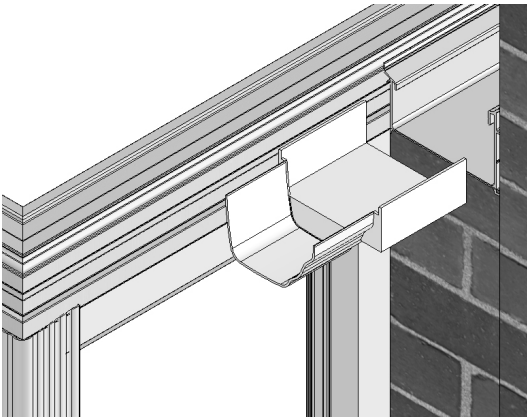


Part End-Out Box Gutter Adapters

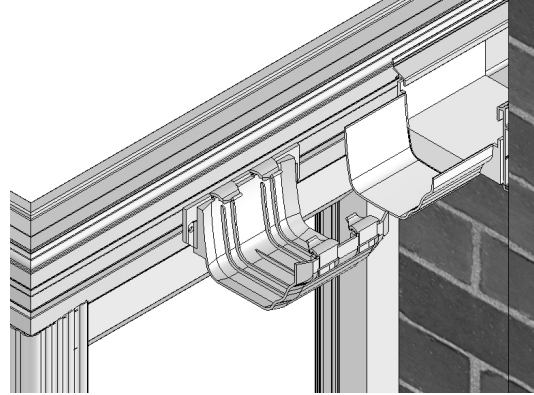
If your additional box gutter (BG1) only runs part way along the side of the conservatory roof, the box gutter adapter which is used is the Ogee inline box gutter adapter (BG12).

As previously described, this adapter is fitted in the same way as any other box gutter adapter - bedded on silicone and inserted into the box gutter (BG1) as shown below.

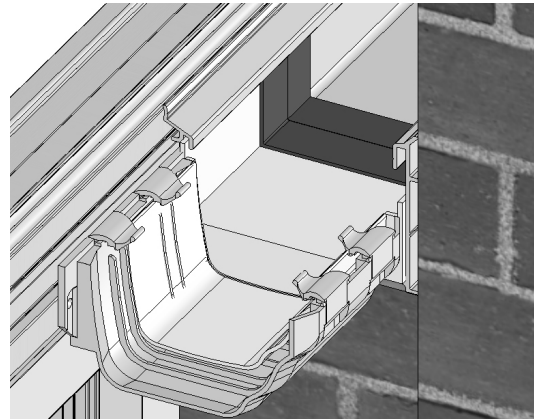
Please note that the rippled shaped face of the inline box gutter adapter (BG15) points *towards* the side wall and the plain face *against* the eaves beam.



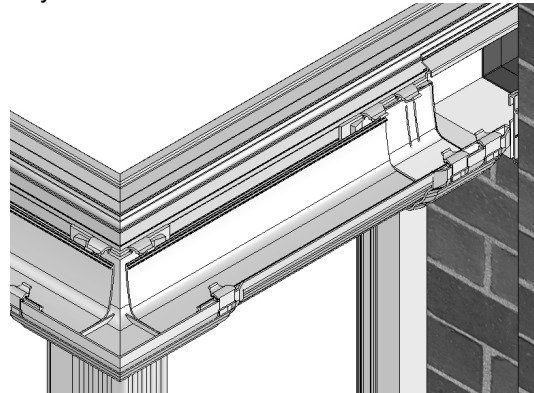
When the Ogee inline box gutter adapter (BG12) is in position an Ogee gutter inline connector (RV14) is fitted to allow the regular Ogee gutter (RV1) to be connected to the box gutter (BG1) assembly.



Now the Ogee gutter inline connector (RV14) is in position the box gutter sealing tape (BG4) can be installed as described previously.



The Ogee gutter (RV1) can now be fitted as any other.



Primary Seal to Host Wall.

Self adhesive flashing tape is included in your conservatory kit. This product is suitable for use where the host wall is flat and even, e.g. face brickwork. The tape is